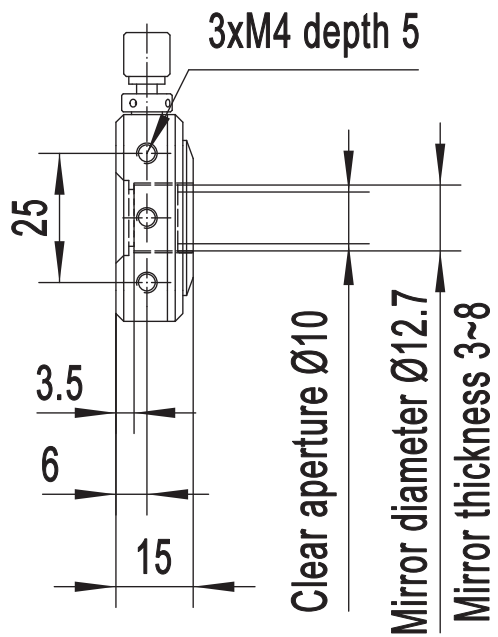
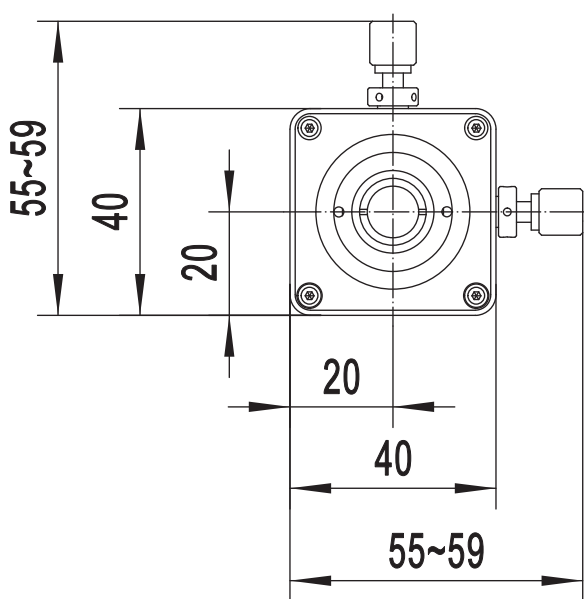
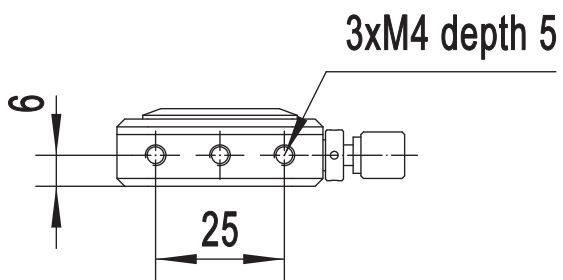
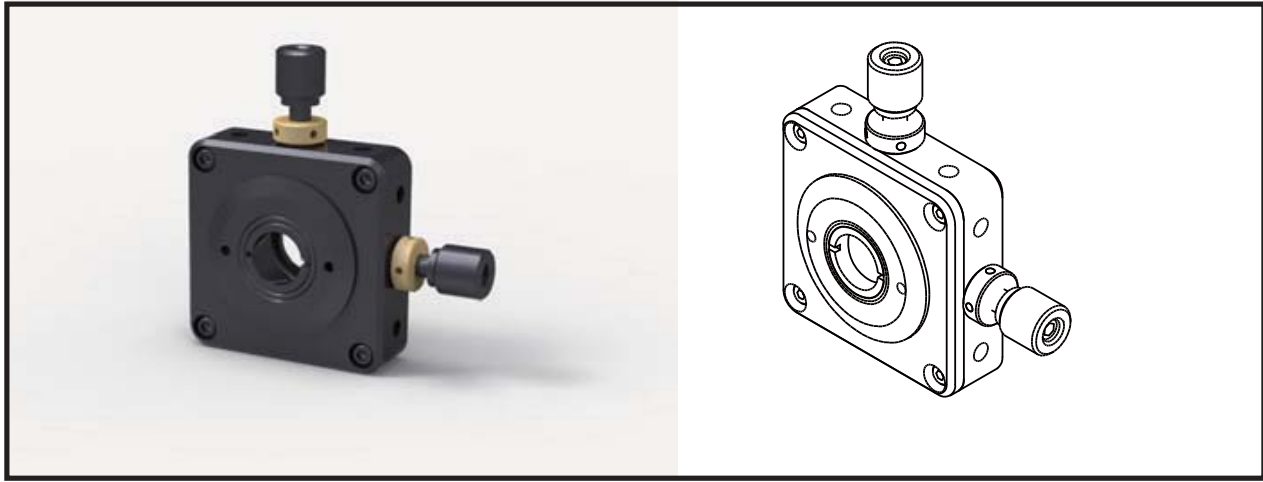


# NLXY12.7



Clear aperture  $\varnothing 10$

Mirror diameter  $\varnothing 12.7$

Mirror thickness 3~8