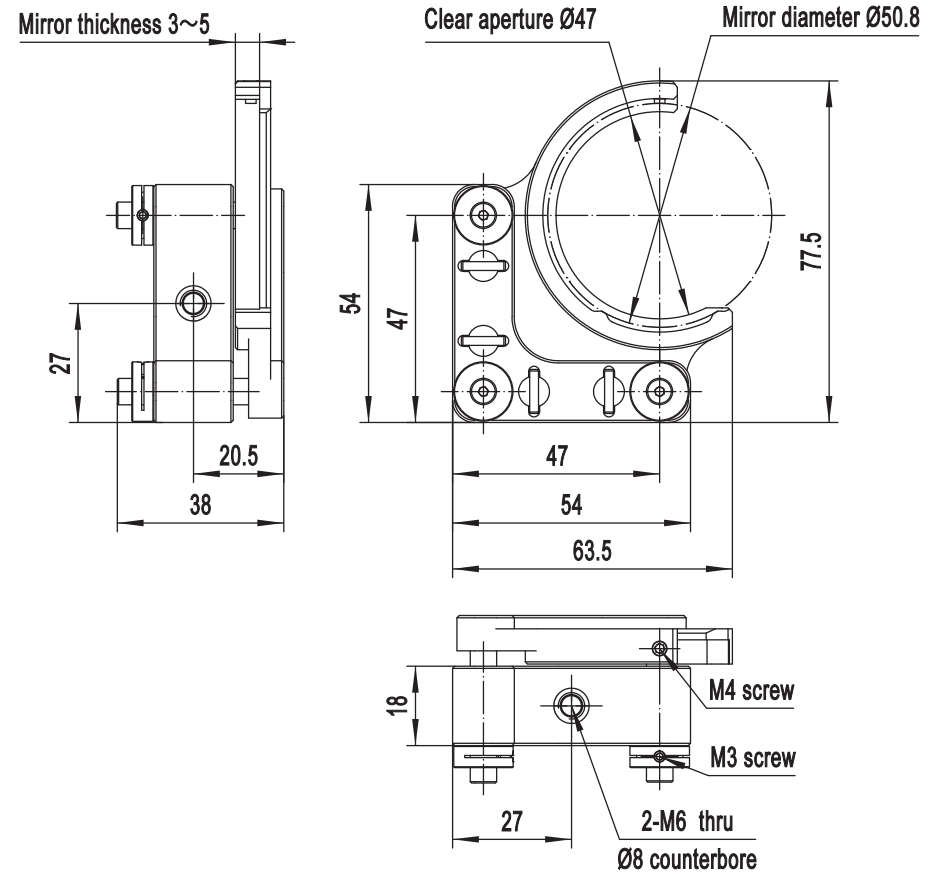


NMGC38.1



NMGC50.8